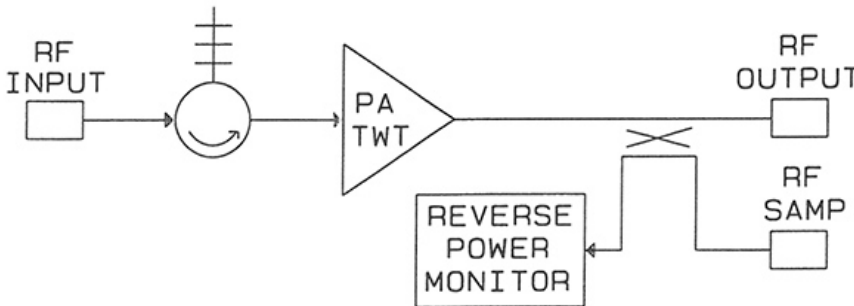


Model 277 Pulse/CW TWT Amplifier



FEATURES:

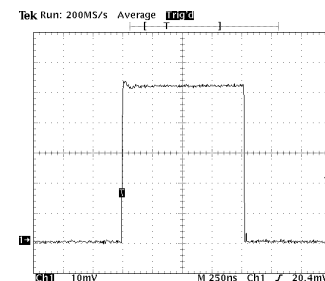
- Frequencies 18-26.5 GHz, 26.5-40 GHz and 33-36 GHz
- Low Spurious Outputs
- Phase and Amplitude Stability
- RF Output Fidelity
- Complete TWT Protection
 - PRF Limit
 - Helix Overcurrent
 - Cathode Over/Undervoltage
 - Filament Low Voltage
 - Overtemperature
 - Input Energy Limit
 - Reverse Power Monitor
- Custom Requirements
- Solid State Except for the TWT
- Front Panel Voltage Adjustments
- Front Panel Fault Isolation
- Modular Construction
- DC TWT Filaments
- Four Line Display
 - Operating Mode
 - Cathode Voltage
 - Helix Current
 - Filament and Operate Time
- Front Panel Controls
 - Power On / Off
 - Operate
 - Standby
 - Fault Reset
 - Local / Remote
 - Pulse / CW



The Model 277 is a dual mode Pulse/CW TWT Amplifier which has been designed to operate TWT's up to 150 watts in the 18 to 26.5 GHz, 26.5 to 40 GHz, and 33-36 GHz frequency ranges. The RF output pulse is generated by the focus electrode (grid) pulse. CW operation may be selected by a discrete signal or by the application of +5VDC on the pulse input terminal. The RF output pulse is controlled by the input video pulse.

The High Voltage Power Supplies are modular DC-DC converter designs. The Power supply design provides superior stability for optimum TWT phase noise and spurious performance.

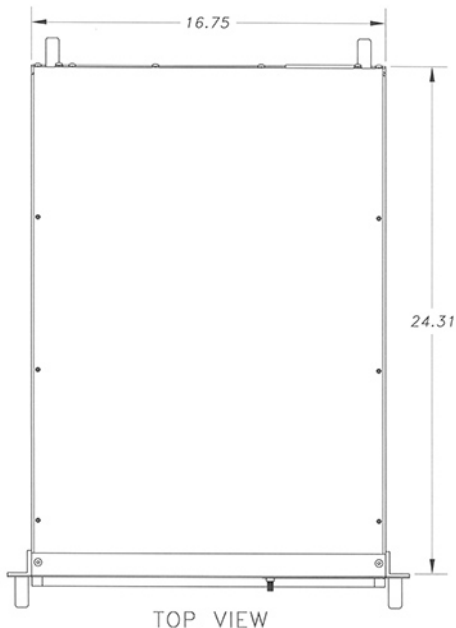
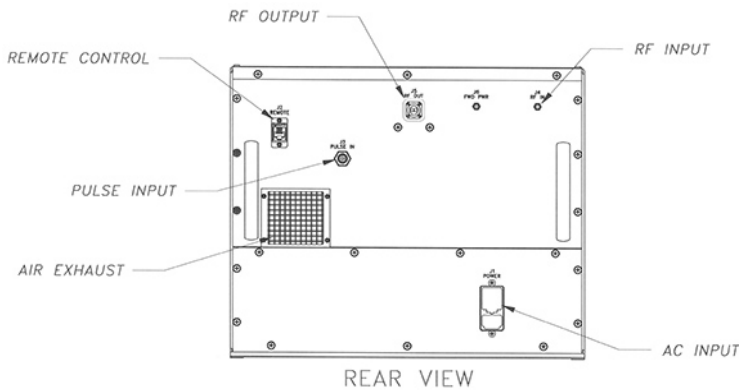
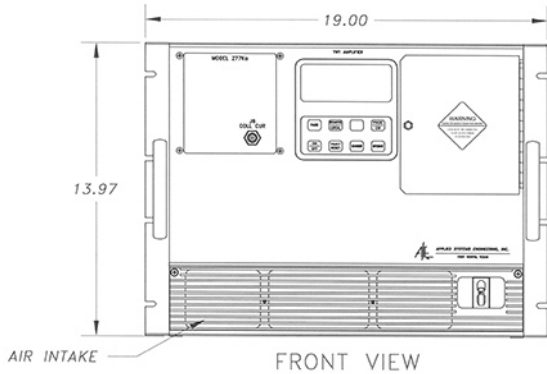
The modular design of the Model 277 provides convenient accessibility to all elements in the TWT amplifier. Plug-in PC boards are accessible through the front panel. The PC card cover contains a legend for PC card located test points and controls. High voltage modules are encapsulated, plug-in assemblies. There is no exposed high voltage.



Detected RF Output

Model 277 TWT Amplifier SPECIFICATIONS

Duty Cycle	Up to 50% Pulse or CW
Pulse Width Range	50 ns to CW
PRF Range	100 kHz
RF Rise / Fall Time	15 ns, Maximum
RF Pulse Droop	< 0.1 dB, Maximum
Delay, Input to RF	200 ns, Maximum
Phase Noise	< $\pm 1^\circ$ pk to pk
Amplitude Variation	0.1 dB, Maximum
Spurious Outputs	-50 dBc, Maximum
Input Pulse	5 Volts into 50 ohms
Noise Figure	35 dB, Nominal
Primary Power	120/220/240 VAC $\pm 10\%$, 50/60 Hz
Operating Temperature	-20 to +50°C
Weight	138 lbs, Nominal
Dimensions	13.97x19x24.31 (in.)



Standard Equipment

- Filament / Operate Time
- Remote Power On/Off
- TCP/IP or UDP/IP Remote Control
- RF Input - K, RF Output - WR-28
- RF Input Isolator
- Forward RF Sample Port
- Reverse Power Monitor
- Switchable Pulse or CW Mode of Operation

Options

- Driver Amplifier
- Reverse RF Sample Port
- RF Arc Detector
- Forward/Reverse Power Meter
- RS-232/422 Remote Interface
- Other Primary Power
- RF Connectors on Front or Rear Panel
- Rack Mount Slides
- Conformal Coated PC Boards
- Outdoor Enclosure



APPLIED SYSTEMS ENGINEERING, INC.

7510 BENBROOK PKWY, FORT WORTH, TEXAS 76126
TELEPHONE: (817) 249-4180 FAX: (817) 249-3413

mdl277_1b.wpd
07-13-22