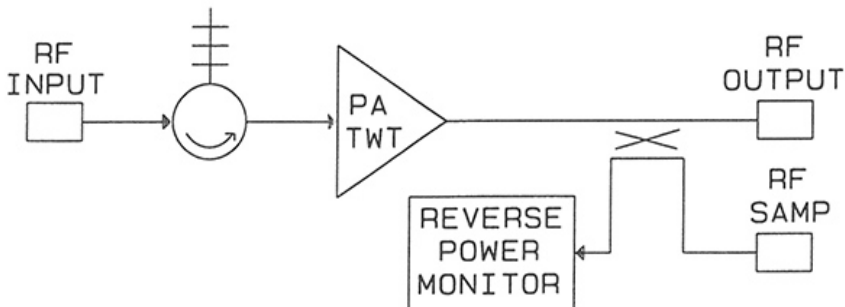


Model 200K 250 Watt CW TWTA



The Model 200K, CW TWT Amplifier has been designed to specifically operate 250 watt traveling wave tubes in the 17.7 to 22.0 GHz frequency range.

The High Voltage Power Supplies are modular DC-DC converter designs. The Power supply design provides superior stability for optimum TWT phase noise and spurious performance. Plug-in PC boards are accessible through the front panel. The PC card cover contains a legend for PC card located test points and controls.

FEATURES:

- Frequency 17.7-22.0 GHz
- Low Spurious Outputs
- Phase and Amplitude Stability
- Complete TWT Protection
 - Helix Overcurrent
 - Cathode Over/Undervoltage
 - Collector Overvoltage
 - Filament Low Voltage
 - Overtemperature
 - Input Energy Limit
 - Reverse Power Monitor
- Custom Requirements
- Solid State Except for the TWT
- Front Panel Voltage Adjustments
- Front Panel Fault Isolation
- Modular Construction
- DC TWT Filaments
- Four Line Display
 - Operating Mode
 - Cathode Voltage
 - Collector Voltage(s)
 - Helix Current
 - Filament and Operate Time
- Front Panel Controls
 - Power On / Off
 - Operate
 - Standby
 - Fault Reset
 - Local / Remote

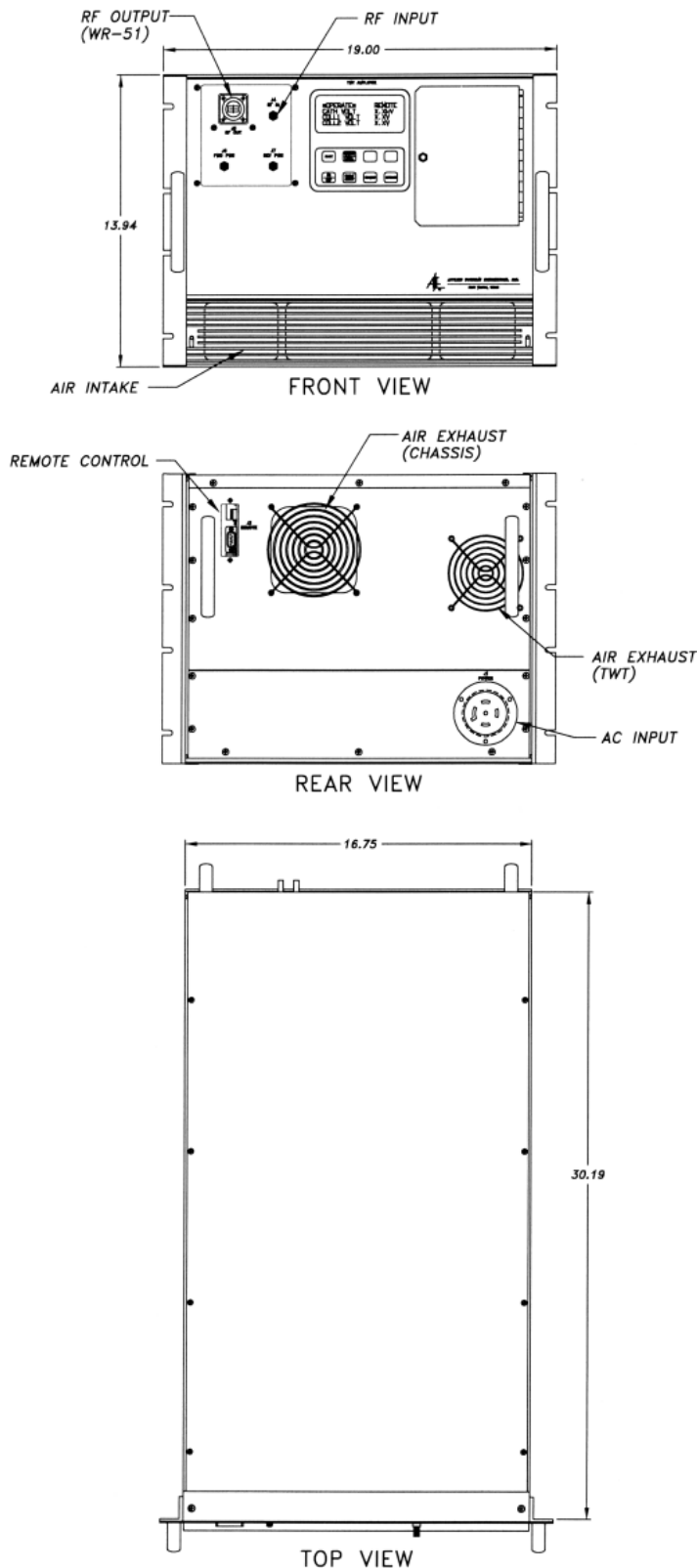


APPLIED SYSTEMS ENGINEERING, INC.

FORT WORTH, TEXAS

Model 200K 250W CW TWTA SPECIFICATIONS

Duty Cycle	CW
Spurious Outputs	-50 dBc, Maximum
Phase Noise	Less than $\pm 1^\circ$
Amplitude Variation	0.1 dB, Maximum
Gain	35 dB, Minimum
Noise Figure	35 dB, Nominal
RF Connectors	WR-51 Waveguide
Primary Power	3 Phase, 208 VAC $\pm 10\%$, 50/60 Hz
Operating Temperature	20° to $+50^\circ\text{C}$
Weight	140 lbs, Nominal
Dimensions	14x19x30.5 (in.)



Standard Equipment

- Filament / Operate Time
- Remote Power On/Off
- Ethernet Remote Control (TCP/IP or UDP/IP)
- RF Input Isolator
- Reverse Power Monitor
- Forward RF Sample Port

Options

- Driver Amplifier
- Higher CW Power
- Reverse RF Sample Port
- RS-232/422 or IEEE-488 Remote Control
- Other Primary Power
- Outdoor Enclosure
- RF Connectors on Front Panel
- Harmonic Filters
- Conformal Coated PC Boards
- Custom Requirements



APPLIED SYSTEMS ENGINEERING, INC.

7510 BENBROOK PKWY, FORT WORTH, TEXAS 76126
TELEPHONE: (817) 249-4180 FAX: (817) 249-3413

mdl200K_1b.wpd
07-14-22