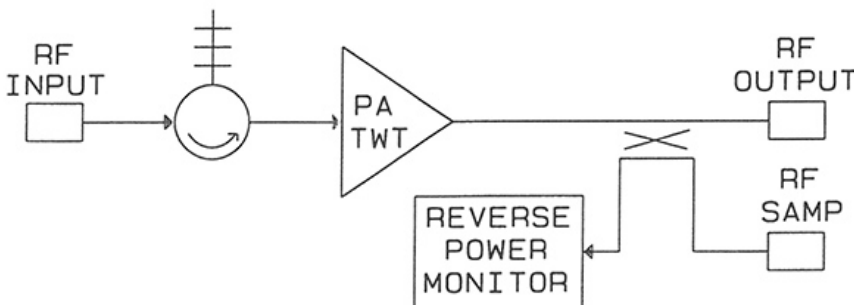


Model 200 200-300 Watt CW TWTA



FEATURES:

- Frequency 2-8 or 8-18 GHz
- Low Spurious Outputs
- Phase and Amplitude Stability
- Complete TWT Protection
 - Helix Overcurrent
 - Cathode Over/Undervoltage
 - Collector Overvoltage
 - Filament Low Voltage
 - Overtemperature
 - Input Energy Limit
 - Reverse Power Monitor
- Custom Requirements
- Solid State Except for the TWT
- Front Panel Voltage Adjustments
- Front Panel Fault Isolation
- Modular Construction
- DC TWT Filaments
- Four Line Display
 - Operating Mode
 - Cathode Voltage
 - Collector Voltage(s)
 - Helix Current
 - Filament and Operate Time
- Front Panel Controls
 - Power On / Off
 - Operate
 - Standby
 - Fault Reset
 - Local / Remote



The Model 200, CW TWT Amplifier has been designed to provide 200-300 watts output using traveling wave tubes at frequencies up to 18 GHz.

The High Voltage Power Supplies are modular DC-DC converter designs. The Power supply design provides superior stability for optimum TWT phase noise and spurious performance.

Model 200 200-300W CW TWTA SPECIFICATIONS

Duty Cycle CW
 Spurious Outputs -50 dBc, Maximum
 Phase Noise Less than $\pm 1^\circ$
 Amplitude Variation 0.1 dB, Maximum
 Gain 35 dB, Minimum
 Noise Figure 35 dB, Nominal
 RF Connectors Type N or Waveguide

Primary Power:
 Wide Input Voltage Range, 180-264 VAC, 50/60 Hz
 (nominal voltages 208V, 220V, 230V, 240V)

Operating Temperature . . . -20° to +50°C
 Weight 116 lbs, Nominal
 Dimensions 10.44x19x26.12 (in.)

Standard Equipment

- Filament / Operate Time
- Remote Power On/Off
- Ethernet Remote Control (TCP/IP or UDP/IP)
- RF Input Isolator
- Reverse Power Monitor
- Forward RF Sample Port

Options

- Driver Amplifier
- Higher CW Power
- Extended Frequency Coverage
- Reverse RF Sample Port
- RS-232/422 or IEEE-488 Remote Control
- Other Primary Power
- Outdoor Enclosure
- RF Connectors on Front Panel
- Harmonic Filters
- Gain Equalizer
- Conformal Coated PC Boards

